



SolidCAM

The Gold-certified integrated
CAM-Engine for SolidWorks

Newsletter April 2010

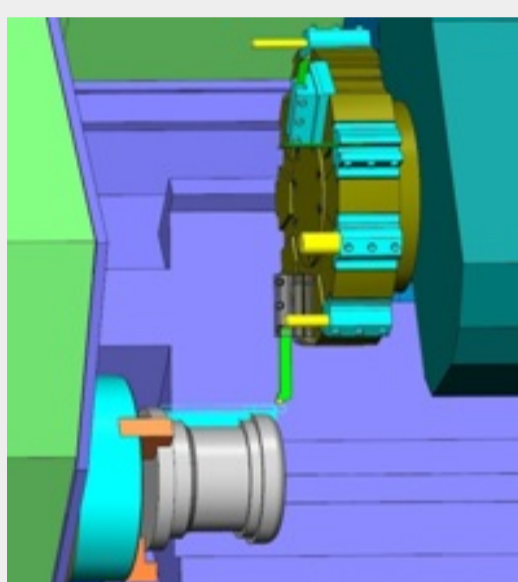
IN THIS ISSUE

[SolidCAM 2010 released](#)

[New Visual Tool Check in SolidCAM 2010](#)

[SolidCAM France exhibits at the MEDTEC show](#)

SolidCAM 2010 released



SolidCAM 2010 supports a more detailed simulation of complex Mill-Turn operations (see screenshot above). This enables CNC programmers to visualize also the mounting/ orientation of the tools in the turret including the rotated drum turret.

[Download document "What's new in SolidCAM 2010"](#)

SolidCAM infos

- [Watch Videos about SolidCAM 2010](#)
- [Order free Demo CD](#)

The new version SolidCAM 2010 SPO is now ready for download from SolidCAM's website. In this version the SolidWorks "Look-and-feel" has been further enhanced by adding new ribbons and unifying the various icon sets of the CAM views. In addition, the level of associativity has been further raised by including now also picked points and all points of Vertex, Edge, Face, Sketchpoint and Sketch segments.

SolidCAM 2010 enables more efficient use of process templates, as the Geometry, Upper Level and Lower Level parameters are now common for all operations of the process template. Also templates can now be filtered according to attributes.

Designed to take full advantage of the increased RAM capabilities of 64-bit systems, SolidCAM 2010 supports 64-bit computing, so that the calculation and simulation of large parts will be further accelerated. SolidCAM 2010 includes two separate installation packages for 32-bit and 64-bit versions of operation systems.

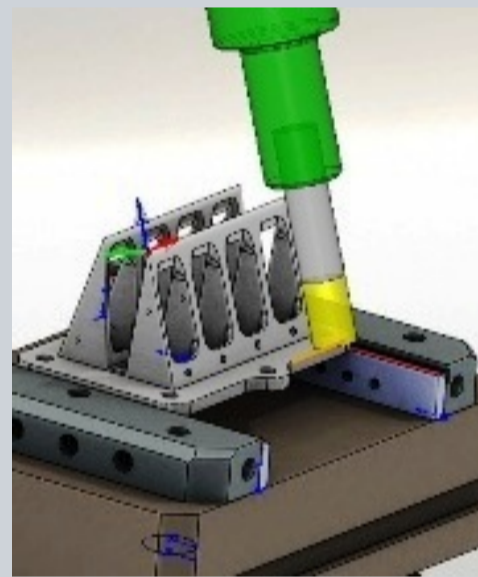
SolidCAM 2010 also provides a new External Simulator for the simulation of operations in a separate window, in parallel to continued working in SolidCAM.

Dear reader, these are some of the new features of SolidCAM 2010. You can get a complete overview by downloading the "**What's new in SolidCAM 2010**" document in the left column.

Emil Somekh
Managing Director
SolidCAM Ltd.

• New Visual Tool Check in SolidCAM 2010

SolidCAM 2010 provides a new feature for the visual check of milling tools - a tool preview directly on the solid model. This facilitates the selection of tools for a given CAM part. When the "Part Tool Table" dialog box is displayed with a tool selected, a semi-transparent image of the selected tool is displayed, which is then moved with the mouse around the part for visual inspection.

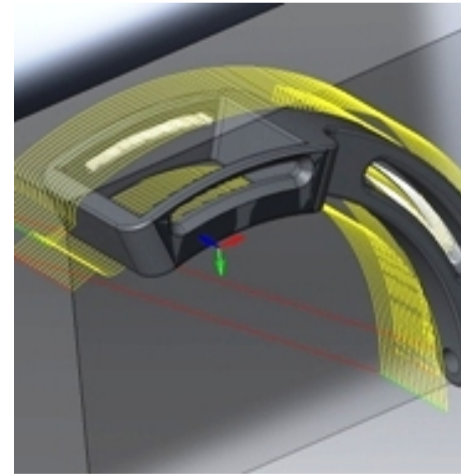


The tool image can now be dynamically zoomed and rotated together with the model, so that the entire tool movement can be checked from different views. The full visual simulation of the tool helps to select the appropriate tool.

[See SolidCAM Professor video about Visual Tool Check...](#)

• SolidCAM France exhibits at the MEDTEC show

Together with the SolidWorks reseller [AJ Solutions](#), SolidCAM France will present the combined solution *SolidWorks+ SolidCAM 2010* at the MEDTEC show in Besancon from April 21-22. The exhibition addresses the needs of medical device manufacturers, that demand high-quality manufacturing technology including CAD/CAM software.



The SolidCAM+SolidWorks solution is widely used for the manufacturing of medical devices. This includes the manufacturing of parts from scanned and digitized models, the production of plastic injection molds for medical components and the manufacturing of custom made implants and surgical instruments. The photo shows the CNC toolpaths for a component of a surgical instrument, generated by SolidCAM. This instrument is used to place implants during an operation. SolidCAM France, with offices in Paris, Lyon and Bordeaux, will show further applications at the MEDTEC show.

:: wolfgang.mueller@solidcam.de

:: <http://www.solidcam.com>

:: +49-170-5773814

[More about MEDTEC 2010...](#)