

IN THIS ISSUE**SolidWorks World 2010****Enhanced strategies for Electrode Milling****Upcoming METAV exhibition in Dusseldorf**

Continuing its tradition of the last 8 years, SolidCAM participated in the partner pavilion of SolidWorks World 2010 in Anaheim. Being a SolidWorks Gold partner since January 2003, SolidCAM is providing the highest level of SolidWorks integration, with seamless single-window integration and full associativity to the SolidWorks design model. All SolidCAM machining is fully associative with the SolidWorks model - SolidCAM automatically synchronizes all operations with the updated model, ensuring the automatic update of tool paths for CAD revisions. SolidCAM provides manufacturing customers with the most COMPLETE Integrated CAM solution for 2.5D and 3D Milling, High-Speed Machining, Multi-sided Indexial 4/5 axes Milling, Sim. 5-axes milling, Mill-Turn up to 5-axes and WireEDM.

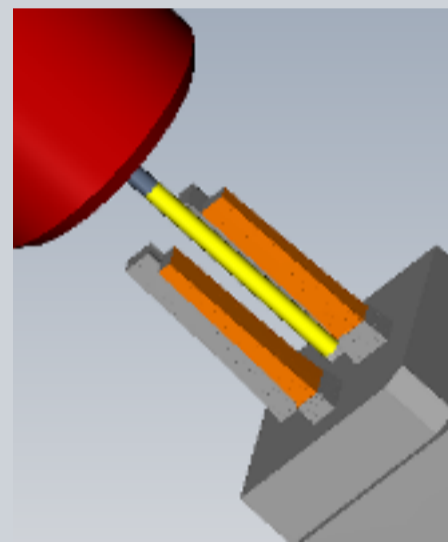
This year it has been interesting to note, that even more CAM vendors follow our strategy of SolidWorks integration stating that "We're now also integrated in SolidWorks". With over 10 years of integration experience with SolidWorks, SolidCAM's integration makes these newcomers' bold claims seem like wishful thinking.

Our message in SolidWorks World 2010: With over a decade to perfect our SolidWorks integration, we have moved on to perfect the next phase in CAM. Due to our exciting advancements in tool path technology, we enable now our users to cut faster and deeper, with smaller tools, using iMachining's exciting revolutionary cutting technology. We also offer enhanced support and simulation for the newest generation of Mill-Turn CNC machines, with multiple spindles and turrets, handling complex, multiple tasks! We clearly are in tune with what customers need today and tomorrow.

Emil Somekh
Managing Director
SolidCAM Ltd.

• Enhanced strategies for Electrode Milling

At the recent Euromold show in Frankfurt/Germany, SolidCAM presented also its "Electrode solution", an integrated approach for Electrode design and manufacturing inside SolidWorks. The solution includes enhanced strategies for the Milling of Electrodes. Two of these strategies have been recently published on YOUTUBE, featuring SolidCAM Professor Sidney Eisner:

**• High Speed Surface Machining (HSS) for Electrodes**

The HSS Module module supports smooth and powerful machining of localized surface areas of the Electrode, including negative offsets. It provides easy selection of the surfaces to be machined, with no need to define the boundaries. The HSS module supports both standard and shaped tools.

See [YOUTUBE video...](#)

• 5-axis Simultaneous Machining for Electrodes

This new 5-axis simultaneous sub-operation facilitates the machining of electrodes, especially when short tools need to be used, avoiding collisions between tool/holder and electrode/holder. It enables users to easily define the following geometries:

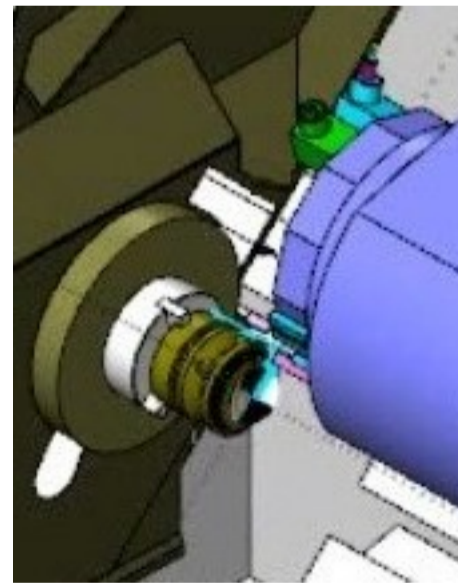
- Surfaces where the machining will be performed (Drive surfaces) and
- Surfaces to be avoided during the machining (Check surfaces)

This sub-operation can be performed using Ball-nosed, Taper or Lollipop Milling tools.

See [YOUTUBE video...](#)

• Upcoming METAV exhibition in Dusseldorf

On February 23-27, SolidCAM will participate in the METAV 2010 show in Dusseldorf, Germany. This International Fair focuses on machine tools for metal cutting and forming, production systems, high-precision tools, automated material flow, computer technology and supplies. SolidCAM will present features of the upcoming version SolidCAM 2010 including a more detailed simulation of complex Mill-Turn operations (see photo).



In addition, METAV addresses traditionally topics and trends currently under discussion in the field of production engineering. This year's special topics include:

- Metal meets Medical
- Energy-efficiency of machine tools
- Automobile drives for the future and
- Mechanical Engineering - a Job with Power

The last topic addresses the information needs of students and young professionals, that look for a career in Mechanical Engineering. Organized by the VDW (Association of the German machine Tool Manufacturers), top-ranking companies from the various sectors showcase the opportunities they offer for young people. SolidCAM is presented by one of its Educational partners, the [FTS College for Precision Technology](#), a College well-known for its innovative teaching methods and industry-oriented training. More than 4,000 students from vocational schools and Engineering colleges have been invited to METAV 2010 for this special show in Hall 7, Stand A1.

[More about METAV 2010...](#)

SolidWorks World 2010

At SolidWorks World 2010, SolidCAM demonstrated its upcoming version SolidCAM 2010, seamlessly integrated in SolidWorks2010.

The photo shows Jeff Ray, CEO of SolidWorks (left), and Emil Somekh, Managing Director of SolidCAM (right), at the SolidCAM booth in the partner pavillion.

Best of SolidWorks World on Youtube...**SolidCAM infos**

- [Watch SolidCAM Professor Tutorials and Videos](#)
- [Order free Demo CD](#)